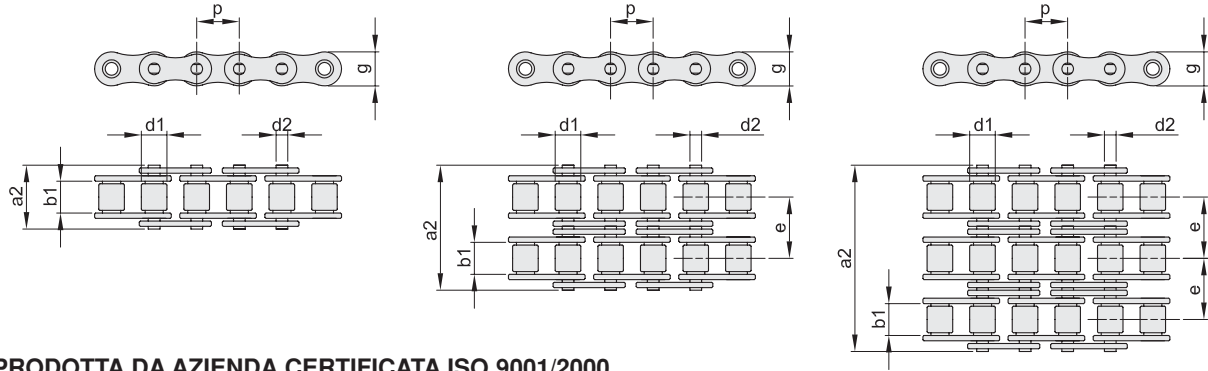


# CATENE A RULLI SERIE EUROPEA - DIN 8187 - ISO 606

## ROLLER CHAINS EUROPEAN STANDARD - DIN 8187 - ISO 606



**CATENA PRODOTTA DA AZIENDA CERTIFICATA ISO 9001/2000**  
CHAIN PRODUCED BY ISO 9001/2000 CERTIFIED COMPANY

**CATENA PRESTIRATA / PRE-STRETCHED CHAINS**

### SEMPLICE

ISO	p		b <sub>1</sub> mm min.	d <sub>2</sub> mm	d <sub>1</sub> mm max.	a <sub>2</sub> mm max.	g mm max.	F <sub>B</sub> min KN	q kg/m ≈
	mm	inch							
04-1	6	-	2,80	1,85	4,00	7,4	5,00	3,0	0,12
05B-1	8	-	3,00	2,31	5,00	8,6	7,11	4,4	0,18
06B-1 ▲	9,525	3/8"	5,72	3,28	6,35	13,5	8,26	8,9	0,40
081-1 ▲	12,7	1/2"	3,30	3,66	7,75	10,2	9,91	8,0	0,28
083-1 ▲	12,7	1/2"	4,88	4,09	7,75	12,9	10,30	11,6	0,42
084-1	12,7	1/2"	4,88	4,09	7,75	14,8	11,15	15,6	0,49
08B-1 ▲	12,7	1/2"	7,75	4,45	8,51	17,0	11,81	17,8	0,68
10B-1 ▲	15,875	5/8"	9,65	5,08	10,16	19,6	14,73	22,2	0,91
12B-1	19,05	3/4"	11,68	5,72	12,07	22,7	16,13	28,9	1,12
16B-1	25,4	1"	17,02	8,28	15,88	36,1	21,08	60,0	2,59
20B-1	31,75	1 1/4"	19,56	10,19	19,05	43,2	26,42	95,0	3,68
24B-1	38,1	1 1/2"	25,40	14,63	25,40	53,4	33,40	160,0	6,85
28B-1	44,45	1 3/4"	30,99	15,90	27,94	65,1	37,08	200,0	8,56
32B-1	50,8	2"	30,99	17,81	29,21	67,4	42,29	250,0	9,49
40B-1	63,5	2 1/2"	38,10	22,89	39,37	82,6	52,90	355,0	15,55
48B-1	76,2	3"	45,72	29,24	48,26	99,1	63,80	560,0	24,45

▲ Fornita anche in rotoli/Supplied also in reels.

### DOPPIA

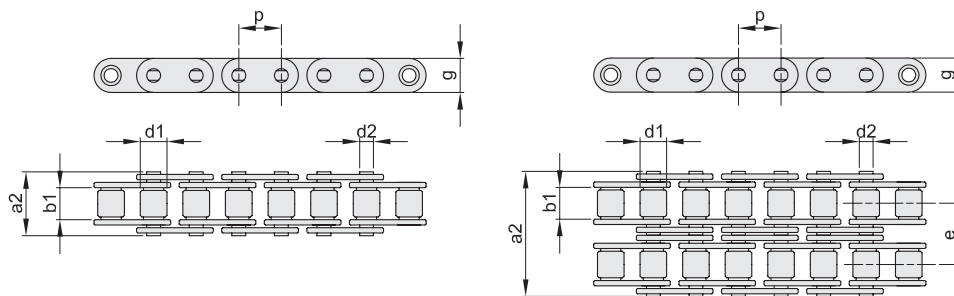
ISO	p		b <sub>1</sub> mm min.	d <sub>2</sub> mm	d <sub>1</sub> mm max.	a <sub>2</sub> mm max.	g mm max.	e mm	F <sub>B</sub> min KN	q kg/m ≈
	mm	inch								
05B-2	8	-	3,00	2,31	5,00	14,3	7,11	5,64	7,8	0,32
06B-2	9,525	3/8"	5,72	3,28	6,35	23,8	8,26	10,24	16,9	0,76
08B-2	12,7	1/2"	7,75	4,45	8,51	31,0	11,81	13,92	31,1	1,31
10B-2	15,875	5/8"	9,65	5,08	10,16	36,2	14,73	16,59	44,5	1,79
12B-2	19,05	3/4"	11,68	5,72	12,07	42,2	16,13	19,46	57,8	2,22
16B-2	25,4	1"	17,02	8,28	15,88	68,0	21,08	31,88	106,0	5,03
20B-2	31,75	1 1/4"	19,56	10,19	19,05	79,7	26,42	36,45	170,0	7,33
24B-2	38,1	1 1/2"	25,40	14,63	25,40	101,8	33,40	48,36	280,0	13,50
28B-2	44,45	1 3/4"	30,99	15,90	27,94	124,7	37,08	59,56	360,0	16,96
32B-2	50,8	2"	30,99	17,81	29,21	126,0	42,99	58,55	450,0	18,74
40B-2	63,5	2 1/2"	38,10	22,89	39,37	154,0	52,90	72,29	630,0	30,72
48B-2	76,2	3"	45,72	29,24	48,26	190,0	63,80	91,21	1000,0	48,54

### TRIPLA

ISO	p		b <sub>1</sub> mm min.	d <sub>2</sub> mm	d <sub>1</sub> mm max.	a <sub>2</sub> mm max.	g mm max.	e mm	F <sub>B</sub> min KN	q kg/m ≈
	mm	inch								
06B-3	9,525	3/8"	5,72	3,28	6,35	34,0	8,26	10,24	24,9	1,12
08B-3	12,7	1/2"	7,75	4,45	8,51	44,9	11,81	13,92	44,5	1,94
10B-3	15,875	5/8"	9,65	5,08	10,16	52,8	14,73	16,59	66,7	2,68
12B-3	19,05	3/4"	11,68	5,72	12,07	61,7	16,13	19,46	86,7	3,32
16B-3	25,4	1"	17,02	8,28	15,88	99,9	21,08	31,88	160,0	7,65
20B-3	31,75	1 1/4"	19,56	10,19	19,05	116,1	26,42	36,45	250,0	10,96
24B-3	38,1	1 1/2"	25,40	14,63	25,40	150,2	33,40	48,36	425,0	20,20
28B-3	44,45	1 3/4"	30,99	15,90	27,94	184,3	37,08	59,56	530,0	25,38
32B-3	50,8	2"	30,99	17,81	29,21	184,5	42,99	58,55	670,0	28,04
40B-3	63,5	2 1/2"	38,10	22,89	39,37	227,0	52,90	72,29	950,0	45,90
48B-3	76,2	3"	45,72	29,24	48,26	281,0	63,80	91,21	1500,0	72,50

# CATENE A RULLI CON PIASTRE A PROFILO DIRITTO "SATURN"- DIN 8187 - ISO 606

## ROLLER CHAINS WITH STRAIGHT PLATES "SATURN"- DIN 8187 - ISO 606



**CATENA PRODOTTA DA AZIENDA CERTIFICATA ISO 9001/2000**

CHAIN PRODUCED BY ISO 9001/2000 CERTIFIED COMPANY

**CATENA PRESTIRATA / PRE-STRETCHED CHAINS**

### SEMPLICE

ISO	p		b <sub>1</sub> mm min.	d <sub>2</sub> mm	d <sub>1</sub> mm max.	a <sub>2</sub> mm max.	g mm max.	F <sub>B</sub> min KN	q kg/m ≈
	mm	inch							
<b>08B-1</b>	12,7	1/2"	7,75	4,45	8,51	17,0	11,5	17,8	0,75
<b>10B-1</b>	15,875	5/8"	9,65	5,08	10,16	19,6	13,9	22,2	0,98
<b>12B-1</b>	19,05	3/4"	11,68	5,72	12,07	22,7	16,1	28,9	1,24
<b>16B-1</b>	25,4	1"	17,02	8,28	15,88	36,1	21,0	60,0	3,30

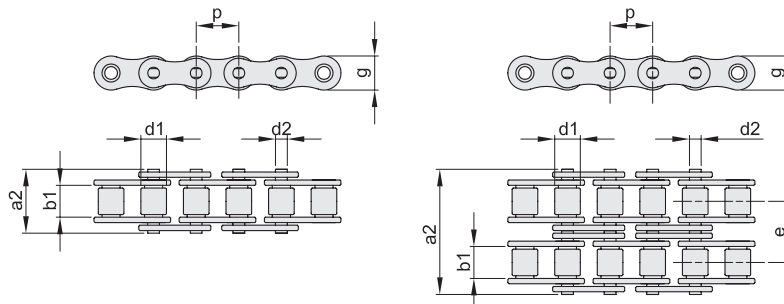
### DOPPIA

ISO	p		b <sub>1</sub> mm min.	d <sub>2</sub> mm	d <sub>1</sub> mm max.	a <sub>2</sub> mm max.	g mm max.	e mm	F <sub>B</sub> min KN	q kg/m ≈
	mm	inch								
<b>10B-2</b>	15,875	5/8"	9,65	5,08	10,16	36,2	13,9	16,59	44,5	1,97
<b>12B-2</b>	19,05	3/4"	11,68	5,72	12,07	42,2	16,1	19,46	57,8	2,27
<b>16B-2</b>	25,4	1"	17,02	8,28	15,88	68,0	21,0	31,88	106,0	5,78

# CATENE A RULLI IN ACCIAIO "INOX AISI 304 - "SATURN - DIN 8187 - ISO 606

## ROLLER CHAINS IN 304 STAINLESS STEEL - "SATURN"- DIN 8187 - ISO 606

La catena INOX (AISI 304), costruita a rulli pieni, offre una particolare resistenza alla corrosione. Può essere utilizzata quindi in ambienti all'acqua, agli agenti chimici ed al calore. Opera a temperature da -20° a +400°.



**CATENA PRODOTTA DA AZIENDA CERTIFICATA ISO 9001/2000**  
CHAIN PRODUCED BY ISO 9001/2000

**CATENA PRESTIRATA / PRE-STRETCHED CHAINS**

### SEMPLICE

ISO	p		b <sub>1</sub> mm min.	d <sub>2</sub> mm	d <sub>1</sub> mm max.	a <sub>2</sub> mm max.	g mm max.	F <sub>B</sub> min KN	q kg/m ≈
	mm	inch							
<b>06B-1</b>	9,525	3/8"	5,72	3,28	6,35	13,5	8,26	6,6	0,40
<b>08B-1</b>	12,7	1/2"	7,75	4,45	8,51	17,0	11,81	12,0	0,68
<b>10B-1</b>	15,875	5/8"	9,65	5,08	10,16	19,6	14,73	15,0	0,91
<b>12B-1</b>	19,05	3/4"	11,68	5,72	12,07	22,7	16,13	17,0	1,12
<b>16B-1</b>	25,4	1"	17,02	8,28	15,88	36,1	21,08	40,0	2,59

### DOPPIA

ISO	p		b <sub>1</sub> mm min.	d <sub>2</sub> mm	d <sub>1</sub> mm max.	a <sub>2</sub> mm max.	g mm max.	e mm	F <sub>B</sub> min KN	q kg/m ≈
	mm	inch								
<b>06B-2</b>	9,525	3/8"	5,72	3,28	6,35	23,8	8,26	10,24	10,5	0,76
<b>08B-2</b>	12,7	1/2"	7,75	4,45	8,51	31,0	11,81	13,92	22,0	1,31
<b>10B-2</b>	15,875	5/8"	9,65	5,08	10,16	36,2	14,73	16,59	28,4	1,79
<b>12B-2</b>	19,05	3/4"	11,68	5,72	12,07	42,2	16,13	19,46	33,3	2,22
<b>16B-2</b>	25,4	1"	17,02	8,28	15,88	68,0	21,08	31,88	74,4	5,03